



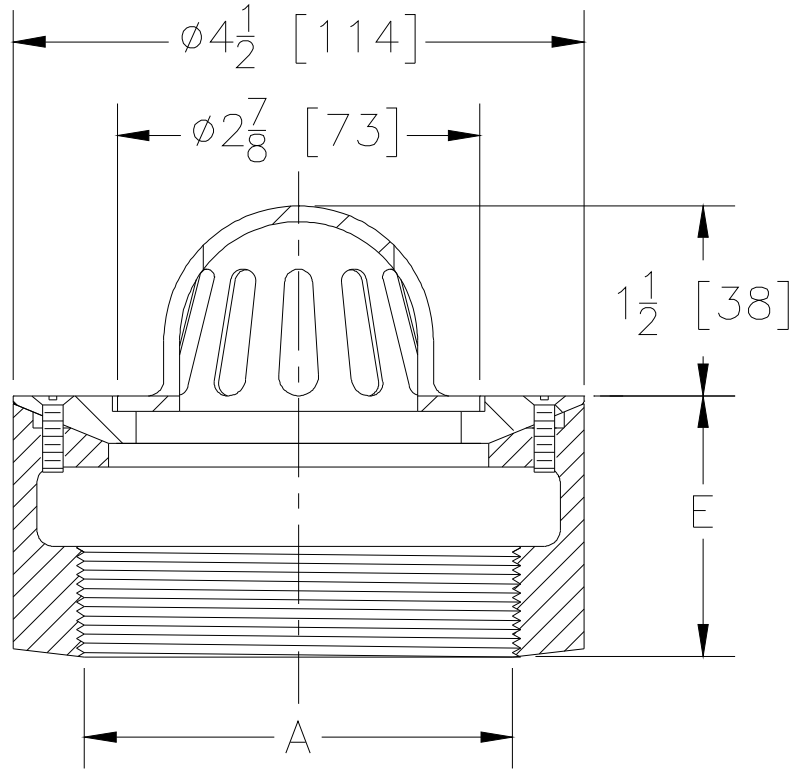
Z180

**4-1/2 [114] DIAMETER CORNICE DRAIN
BOTTOMOUTLET**

SPECIFICATION SHEET

TAG _____

Dimensional Data (inches and [mm]) are Subject to Manufacturing Tolerances and Change Without Notice



A- Pipe Size In. [mm]	Approx. Wt. Lbs. [kg]	Dome Open Area Sq. In. [cm ²]
2, 3 [51, 76]	5 [2]	4.5 [29]

ENGINEERING SPECIFICATION: ZURNZRB180
 4-1/2" [114mm] Diameter by 2" [51mm] high cornice drain, Dura-Coated cast iron body, plain bronze dome, and membrane flashing clamp.

OPTIONS (Check/specify appropriate options)

PIPE SIZE

2, 3 [51, 76]
2, 3 [51, 76]

(Specify size/type) **OUTLET**

___ IP Threaded
___ NH No-Hub (IP w/Z1040)

'E' BODY HT. DIM.

2 [51]
4-1/2 [114]

PREFIXES

___ ZRB D.C.C.I. Body with Plain Bronze Dome*
___ ZN D.C.C.I. Body with Polished Nickel Bronze Dome

SUFFIXES

___ -FS Flat Strainer (ZN)
___ -G Galvanized Cast Iron
___ -VP Vandal Proof Secured Top

* Regularly furnished unless otherwise specified.